

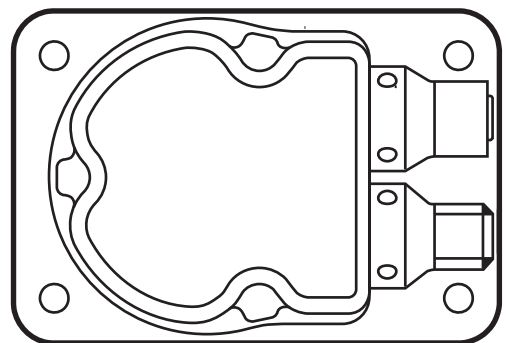


Device manual
Inclination sensor
2 axes

UK

JN2100
from firmware 2.5.4

80274571/00 04/2018



Contents

1	Preliminary note	4
1.1	Symbols used	4
2	Safety instructions	4
2.1	General	4
2.2	Target group	4
2.3	Electrical connection	5
2.4	Tampering with the device	5
3	Functions and features	5
4	Installation	6
4.1	Fixing	6
4.2	Mounting surface	6
5	Scale drawing	6
6	Electrical connection	7
6.1	Bus termination	7
7	CANopen interface	7
7.1	CANopen functions	7
7.2	Set-up	8
7.3	NMT start-up (OD index 1F80h)	8
7.3.1	Slave Only (default) (OD index 1F80h = 0)	8
7.3.2	NMT start command (OD index 1F80h = 2)	8
7.3.3	Autostart (OD index 1F80h = 8)	8
7.4	Communication types of process data object (PDO)	9
7.4.1	Cyclical operating mode	9
7.4.2	Synchronised transmission after reception of a SYNC telegram	9
7.5	Object directory (OD)	11
7.5.1	Communication parameters (to CiA DS-301)	14
7.6	Service data object (SDO) mapping	15
7.6.1	System settings (SDO index 0x2000 - 0x203F)	15
7.6.2	Applicative (SDO index 0x2040 - 0x207F)	16
7.6.3	System settings (SDO index 0x4000 - 0x403F)	17
7.6.4	Informative 0x4080 - 0x40BF	18
7.6.5	Additional functionality 0x5C10 - 0x5D30	18
7.6.6	Profile-specific part (to CiA DSP-410) 0x6000 – 0x9FFF	18
8	Angle definition (SDO index 2044h)	19
8.1	Perpendicular angle (SDO index 2044h = 0)	19
8.2	Euler angle (SDO index 2044h = 1)	20
8.3	Gimbal angle X (SDO index 2044 = 2)	20
8.4	Gimbal angle Y (SDO index 2044 = 3)	21
8.5	Explanatory example	21
9	Other sensor functions	22
9.1	Node ID (SDO index 2000h) and baud rate (SDO index 2001h)	22

9.2	Limit frequency digital filter (SDO index 2043h)	22
9.3	Set zero point (SDO index 2046h)	22
9.4	Terminating resistor (SDO index 2045h)	22
9.5	Set teach (SDO index 2042h)	23
9.6	Quadrant correction (SDO index 2040h)	24
9.7	Heating (SDO index 2041h)	24
9.8	MEMS self-test (SDO index 4004h)	24
9.9	Temperature of the measuring cell (SDO index 4080h)	25
9.10	Inclination values longitudinal and lateral (SDO index 6010h and SDO index 6020h)	25
9.11	Inversion of the angle values	25
9.12	Programming key (SDO index 3000h)	25
10	Vibration measurement	26
10.1	Measurement mode (SDO index 2047h)	26
10.1.1	Vibration measurement (Veff & aPeak) (SDO index 2047 = 1)	26
10.1.2	Raw acceleration measurement (AC) (SDO index 2047h = 2)	27
10.1.3	Raw acceleration measurement (DC) (SDO index 2047h = 3)	27
10.2	Configure measuring plane (SDO index 2048h)	27
10.3	FIR filter (SDO index 2049h)	28
10.4	Measuring range (SDO index 204A h)	28
11	Parameter (connection set) handling	28
11.1	Save the connection set (OD index 1010h)	29
11.2	Reset the connection set (OD index 1011h)	29
11.3	Factory reset (SDO index 207Fh)	29
12	Emergency messages	29
12.1	Failure monitoring	30
12.1.1	Node guarding / life guarding	30
12.1.2	Heartbeat	30
12.2	COB IDs	31
12.3	Status LED	31
13	Maintenance, repair and disposal	32
14	Approvals/standards	32
14.1	Reference to UL	32
15	Factory setting	32
16	Technical Data	32

1 Preliminary note




This document applies to the device of type "inclination sensor" (art. no.: JN2100). It is part of the device.

This document is intended for specialists. These specialists are people who are qualified by their appropriate training and their experience to see risks and to avoid possible hazards that may be caused during operation or maintenance of the device. The document contains information about the correct handling of the device.

Read this document before use to familiarise yourself with operating conditions, installation and operation. Keep this document during the entire duration of use of the device.

Adhere to the safety instructions.

1.1 Symbols used

- ▶ Instructions
- > Reaction, result
- [...] Designation of keys, buttons or indications
- Cross-reference
-  Important note
Non-compliance may result in malfunction or interference.
-  Information
Supplementary note
-  General warning
When this symbol is shown, consult the corresponding section in the operating instructions

2 Safety instructions

2.1 General

These instructions are an integral part of the device. They contain texts and figures concerning the correct handling of the device and must be read before installation or use.

Observe the operating instructions. Non-observance of the instructions, operation which is not in accordance with use as prescribed below, wrong installation or incorrect handling can seriously affect the safety of operators and machinery.

2.2 Target group

These instructions are intended for authorised persons according to the EMC and low-voltage directives. The device must only be installed, connected and put into operation by a qualified electrician.

2.3 Electrical connection

Disconnect the unit externally before handling it.

The connection terminals may only be supplied with the signals indicated in the technical data and/or on the device label and only the approved accessories from ifm may be connected.

2.4 Tampering with the device

Contact the manufacturer in case of malfunction of the unit or uncertainties. Any tampering with the device can seriously affect the safety of operators and machinery. In case of tampering with and/or modifying the unit, any liability and warranty is excluded.

UK

3 Functions and features

The 2-axis inclination sensor with CANopen interface enables angle levelling and position detection of mobile machines.

Typical applications are, for example, the position detection of access platforms, levelling of mobile cranes or set-up of mobile machines.

Properties:

- 2-axis inclination sensors with a measuring range of 360° (+/- 180°)
- High accuracy and resolution
- CANopen interface to CiA DS-301 and device profile CiA DSP-410
- The module supports „LSS-slave“ "node guarding" and "heartbeat"; "guard time", "life time factor" as well as "heartbeat time" can be configured.
- High sampling rate and band width
- Configurable limit frequency (digital filter) for vibration suppression
- CANopen functions
 - Transmit PDOs (RTR, cyclical, synchronised)
 - SYNC consumer (synchronised transmission of the transmit PDOs after reception of a SYNC telegram)
 - EMCY producer (exceeding of limit value, monitoring of the inside device temperature)
 - Failure monitoring by means of heartbeat or node guarding / life guarding
- Simultaneous inclination and vibration measurement possible
- Programming key
- Automatic data backup (autosave) and autostart function
- Inversion of the angle values / reversal of the direction of rotation

4 Installation

4.1 Fixing

- Fasten the device using 4 M5 screws on a flat surface.
Screw material: steel or stainless steel.

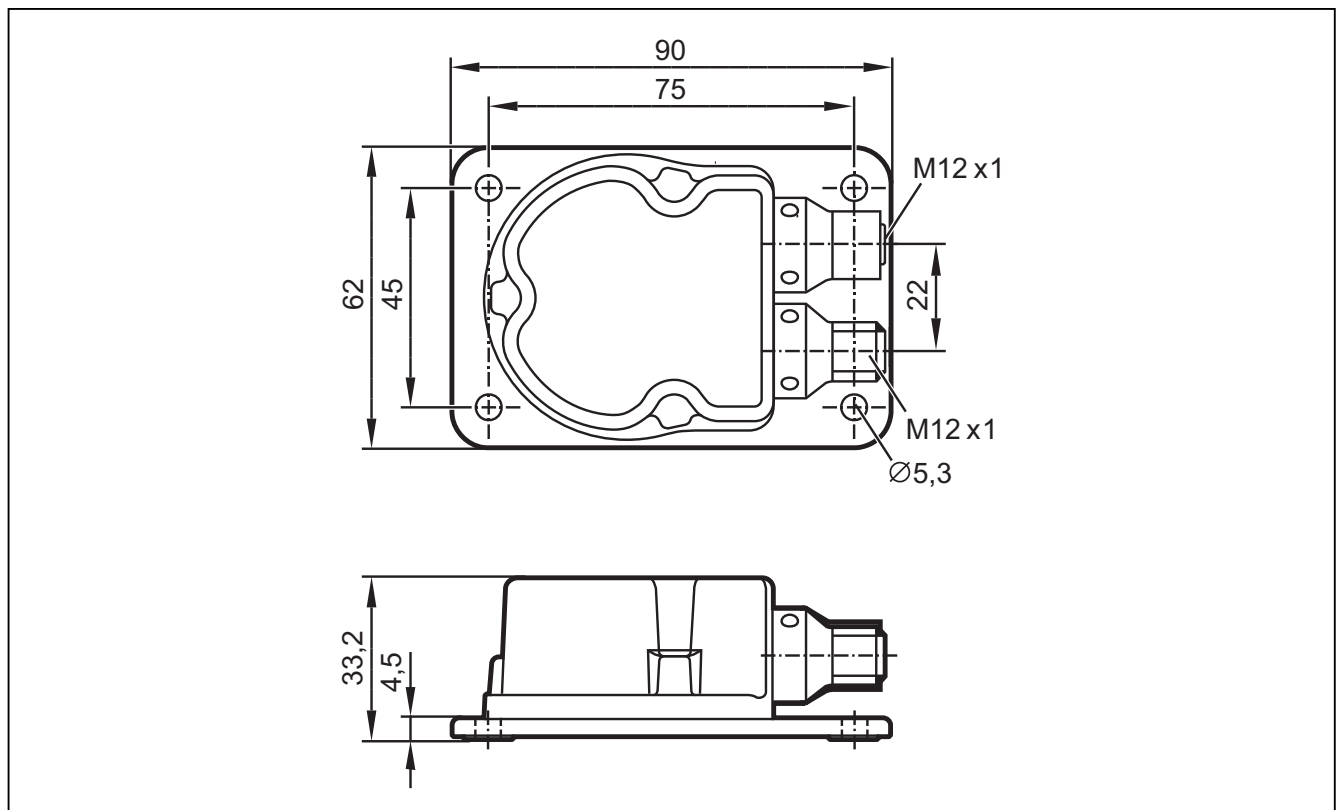
4.2 Mounting surface



The housing must not be exposed to any torsional forces or mechanical stress.

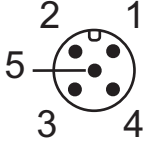
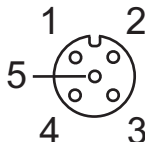
- Use compensating elements if there is no flat mounting surface available.

5 Scale drawing



6 Electrical connection

The inclination sensors are fitted with two round 5-pole M12 connectors (A-coded). The pin connection corresponds to the CANopen specification CiA DR-303-1.

	<p>1: CAN_SHLD CAN shield 2: CAN_V+ Supply voltage 24 V DC (+U_B) 3: CAN_GND Ground 4: CAN_H High bus cable 5: CAN_L Low bus cable</p>
M12 connector CAN-In	
	<p>1: CAN_SHLD CAN shield 2: CAN_V+ Supply voltage 24 V DC (+U_B) 3: CAN_GND Ground 4: CAN_H High bus cable 5: CAN_L Low bus cable</p>
M12 socket CAN-Out	

UK

6.1 Bus termination

The inclination sensors have an internal terminating resistor that can be activated via the CANopen interface (SDO-Index 2045; activated per default).

7 CANopen interface

The inclination sensors have a standardised CANopen interface to CiA DS-301 and a device profile to CiA DSP-410. All measured values and parameters can be accessed via the object directory (OD). The individual configuration can be saved in the internal permanent memory (flash).

7.1 CANopen functions

The following CANopen functions are available:

- Several transmit data objects (TPDO) in four possible operating modes:
 - individual check via a remote transmit-request telegram (RTR)
 - cyclical transmission per interval time
 - synchronised transmission after reception of a SYNC telegram
 - a service data object (default SDO)
- Error messages per emergency object (EMCY) with support of the:
 - general error register
 - manufacturer-specific register
 - error list (pre-defined error field)
- Monitoring mechanisms heartbeat and node guarding/life guarding

- Status and error indication via LED
- In addition to the basic CANopen functions there are other manufacturer and profile-specific features:
 - setting of the node ID and the baud rate via OD
 - configurable limit frequency (digital filter)

7.2 Set-up

The CANopen standard CiA DS-301 defines three possible states for sensor nodes.

Pre-Operational

The pre-operational state is used to set the sensor parameters or as standby mode. In the pre-operational state no process data (PDO messages) can be transmitted.

Operational

The operational state is used to exchange the process data while in operation. In the operational state all communication services are carried out.

Stopped

The stopped state is used for network management; only NMT messages are possible.

The master or network manager can request the sensor via NMT messages to change the state accordingly. This allows almost complete separation of redundant or faulty sensors from the bus.

7.3 NMT start-up (OD index 1F80h)

The sensor has a selectable start performance. The following three options can be selected under the index 1F80h:

7.3.1 Slave Only (default) (OD index 1F80h = 0)

The sensor starts in the pre-operational state (0x00h).

7.3.2 NMT start command (OD index 1F80h = 2)

This command is used for CAN bus networks without NMT master. If the sub-index 0x02h is selected, the sensor starts after a new start as NMT master in the operational state and sets the other network participants from the pre-operational into the operational state.

7.3.3 Autostart (OD index 1F80h = 8)

If this command is written under the sub-index 0x08h, the sensor starts automatically in the operational state after a new start.

7.4 Communication types of process data object (PDO)

The request for process data objects is made by sending a remote transmit request telegram (RTR).

The different transmit PDOs (TPDOx) can be polled in all operating modes of the inclination sensor individually and at any time and they can be combined.

7.4.1 Cyclical operating mode

The cyclical transmission of a TPDO is activated when the interval time (e.g. OD index 1800h/05h for TPDO0) contains a value greater than 0. The type of transmission (e.g. OD index 1800h/02h for TPDO0) has to be set to "asynchronous – manufacturer-specific" (value = FEh). In the "operational" state the inclination sensor then cyclically transmits the TPDOx with the set interval time.

7.4.2 Synchronised transmission after reception of a SYNC telegram

For the synchronised transmission CANopen provides the SYNC object at which the TPDOs are transmitted after every "nth" reception of a SYNC telegram.

Each inclination sensor has several transmit process data objects (TPDOx). The TPDO0 contains the current inclination values (longitudinal and lateral) as 16-bit values.

Byte 0	Byte 1	Byte 2	Byte 3
Inclination value longitudinal (X axis) OD index: 6010h		Inclination value lateral (Y axis) OD index: 6020h	

The second transmit process data object TPDO1 contains the inclination values as 32-bit values.

Byte 0 to	Byte 3	Byte 4 to	Byte 7
Inclination value longitudinal (X axis) OD index: 6110h		Inclination value lateral Y axis) OD index: 6120h	

The third transmit process data object TPDO2 contains the inclination values (aPeak and Veff) as 32-bit values.

Byte 0 to	Byte 3	Byte 4 to	Byte 7
Veff OD index: 5C10h		aPeak OD index: 5C11h	

The fourth transmit process data object TPDO3 contains the raw acceleration values (with or without gravitational force) as 16-bit value.

Byte 0	Byte 1	Byte 2	Byte 3	Byte 4	Byte 5
aVector X axis OD index: 5D10h		aVector Y axis OD index: 5D11h		aVector Z axis OD index: 5D12h	

The resolution of the inclination information (SDO index 6000h) can be configured accordingly. For the settings see the device profile for inclination sensors (CiA DSP-410: SDO index 0x6000 – 0x9FFF).

A list with the individual values can be found in chapter "7.6.6 Profile-specific part".



With the 16-bit transmission, the measuring range from 0...360° can only be shown correctly across the whole range (overflow of the range of numbers) with a resolution of 0.1°.

At higher resolutions the angle values have to be transmitted with 32 bits.

7.5 Object directory (OD)

Index	Sub-index	Name (parameter)	Type		Default value	Autosave / Reset
1000h	0	Device type (device profile 410, 2 axes)	const	u32	4019Ah	
1001h	0	Error register	ro	u8	0	
1003h	Pre-defined error field					
	0	Number of error entries	rw	u32	0	
	1...50	Error code (oldest error at highest index)	ro	u32	0	
1005h	0	COB ID sync message	rw	u32	80h	
1008h	0	Product designation	const	VSTR	JN2100	
1009h	0	Hardware version	const	VSTR	X.Y.Z	
100A h	0	Software version ("XY")	const	VSTR	X.Y.Z	
100C h	0	Guard time (multiple of 1 ms)	rw	u16	0	Yes
100D h	0	Life time factor	rw	u8	0	Yes
1010h	Save parameters					
	0	Highest supported sub-index	r0	u32	1	
	1	Save all parameter (signature: „save“ 65766173h) (all parameter are saved automatically in case of a change and will be active after rebooting)	rw	u32	2 (Autosave)	Yes
1011h	Restore factory parameters			u32		
	0	Highest supported sub-index	r0	u32	1	
	1	Restore all factory parameters (signature: "load" - 64616F6 Ch)	rw	u32	0	Yes
1014h	0	COB ID EMCY (emergency message)	5	u32	80h + node ID	
1015h	0	Disable time between EMCY messages (multiple of 100 μ s)	rw	u16	0	Yes
1017h	0	Heartbeat interval time (multiple of 1 ms, 0 deactivated)	rw	u16	0	Yes
1018h	Identity object					
	0	Highest supported sub-index	ro	u8	4	
	1	Vendor ID	ro	u32	6D666900	
	2	Product code	ro	u32	00	
	3	Revision number	ro	u32	AA	
	4	Serial number	ro	u32	Typical	

UK

Index	Sub-index	Name (parameter)	Type		Default value	Autosave / Reset
1029h	Error behaviour object					
	0	Number of error classes	ro	u8	1	No
	1	Error behaviour	rw	u8	0	0x0
1200h	Server SDO parameter					
	0	Highest supported sub-index	ro	u8	2	
	1	COB ID client to server	ro	u32	600h + node ID	
	2	COB ID server to client	ro	u32	580h + node ID	
1800h	Transmit PDO0 communication parameter					
	0	Highest supported sub-index	ro	u8	5	
	1	COB ID	ro	u32	180h + node ID	
	2	Type of transmission (synchronous + asynchronous, manufacturer-specific)	rw	u8	1	Yes
	3	Disable time between two TPDO messages (multiple of 100 µs)	rw	u16	0	Yes
5	Interval time for cycl. transmission (multiple of 1 ms, 0 deactivated)	rw	u16	10	Yes	
1801h	Transmit PDO1 communication parameters					
	0	Highest supported sub-index	ro	u8	5	
	1	COB ID	ro	u32	280h + node ID	
	2	Type of transmission (synchronous/asynchronous)	rw	u8	1	Yes
	3	Disable time between two TPDO messages (multiple of 100 µs)	rw	u16	0	Yes
5	Interval time for cycl. transmission (multiple of 1 ms, 0 deactivated)	rw	u16	10	Yes	
1802h	Transmit PDO2 communication parameter					
	0	Highest supported sub-index	ro	u8	5	
	1	COB ID	ro	u32	380h + node ID	
	2	Type of transmission (synchronous/asynchronous)	rw	u8	1	Yes
	3	Disable time between two TPDO messages (multiple of 100 µs)	rw	u16	0	Yes
5	Interval time for cycl. transmission (multiple of 1 ms, 0 deactivated)	rw	u16	10	Yes	

Index	Sub-index	Name (parameter)	Type		Default value	Autosave / Reset
1803h	Transmit PDO3 communication parameter					
	0	Highest supported sub-index	ro	u8	5	
	1	COB ID	ro	u32	480h + node ID	
	2	Type of transmission (synchronous/asynchronous)	rw	u8	1	Yes
	3	Disable time between two TPDO messages (multiple of 100 μ s)	rw	u16	0	Yes
	5	Interval time for cycl. transmission (multiple of 1 ms, 0 deactivated)	rw	u16	10	Yes
1A00h	Transmit PDO0 mapping parameter (fixed mapping)					
	0	Highest supported sub-index	ro	u8	2	Yes
	1	Inclination value longitudinal (X axis)	ro	u32	60100010h	
	2	Inclination value lateral (Y axis)	ro	u32	60200010h	
1A01h	Transmit PDO1 mapping parameters (fixed mapping)					
	0	Highest supported sub-index	ro	u8	2	Yes
	1	Inclination value longitudinal (X axis)	ro	u32	61100020h	
	2	Inclination value lateral (Y axis)	ro	u32	61200020h	
1A02h	Transmit PDO2 mapping parameters (fixed mapping)					
	0	Highest supported sub-index	ro	u8	2	Yes
	1	Veff	ro	u32	5C100020h	
	2	aPeak	ro	u32	5C110020h	
1A03h	Transmit PDO3 mapping parameters (fixed mapping)					
	0	Highest supported sub-index	ro	u8	3	Yes
	1	aVector X axis	ro	u32	5D100020h	
	2	aVector Y axis	ro	u32	5D110020h	
	3	aVector Z axis	ro	u32	5D120020h	
1F80h	NMT start-up					
	0	Slave only	rw	u8	0	Yes
		Start-up capable device NMT start command	rw		2	
		Start-up capable device autostart feature only	rw		8	

Values for error behaviour (see 1029h)

0 = pre-operational (only if current state is operational)

1 = no change of state

2 = stopped

3 .. 127 = reserved

7.5.1 Communication parameters (to CiA DS-301)

Error register (OD index 1001h)

The error register indicates the general error status of the device. Every bit stands for an error group. If a bit is set (= 1), at least one error of this group is active at the moment. The contents of this register are transmitted in every emergency message (EMCY).

Error groups

Bits 5...7	Bit 4	Bit 3	Bit 2	bit 1 = 0	Bit 0
Not used	Communication error (overrun)	Temperature	Voltage	Not used	At least one error active

Pre-defined error field (OD index 1003h)

Each inclination sensor has an error list with the 50 most recent errors. The pre-defined error field (OD index 1003h) contains the number of error entries (OD index 1003h/00h).

The other sub-indices contain the saved error states in chronological order with the error occurred last being always found under the lowest sub-index (OD index 1003h/01h).

The oldest error is in the highest available sub-index and is the first to be removed from the list in the case of more than 50 errors.

If an error occurs, a new error entry is added to the error field (OD index 1003h) and also communicated via an EMCY message.

Structure of an error entry

Byte 0	Byte 1	Byte 2	Byte 3	Byte 4	Byte 5	Byte 6	Byte 7
Emergency error code		Error register (object 1001h)	Manufacturer-specific error field				

Emergency error code	Meaning
00xxh	Error reset or no error
10xxh	Generic error
31xxh	Mains voltage
32xxh	Voltage inside the device
41xxh	Ambient temperature
42xxh	Device temperature
80xxh	Monitoring
81xxh	Communication
8110h	CAN overrun (objects lost)
8120h	CAN in error passive mode
8130h	Life guard error or heartbeat error
8140h	Recovered from bus off
8150h	Transmit COB ID
82xxh	Protocol error
8210h	PDO not processed due to length error
8220h	PDO length exceeded
90xxh	External error
F0xxh	Additional functions

UK

7.6 Service data object (SDO) mapping

7.6.1 System settings (SDO index 0x2000 - 0x203F)

SDO index	Sub-index	Type	Value	Unit	r/w	Reset
0x2000	0x0	u8	Node ID		rw	x
0x2001	0x0	u16	Baud rate	Kbit	rw	x
0x2002	0x0	u8	Flag to reset the sensor Flag = 1 sensor reset		rw	

7.6.2 Applicative (SDO index 0x2040 - 0x207F)

SDO index	Sub-index	Type	Value	Unit	r/w	Reset
0x2040	0x0	u8	Flag for quadrant correction 0: off 1: on ± 180 2: on 0...360°		rw	
0x2041	0x0	u8	Flag for heating Flag = 0 heating off Flag = 1 heating on		rw	
0x2042	0x0	u8	Index teach values of the X/Y/Z axes 0: no change 1: set teach, relative measurement 2: reset teach, absolute measurement		rw	
0x2043	0x0	u8	FIR filter for angle measurement 0: FIR deactivated 1: FIR 10 Hz 2: FIR 5 Hz 3: FIR 1 Hz 4: FIR 0.5 Hz		rw	
0x2044	0x00	u8	Angle calculation 0: perpendicular 1: Euler 2: gimbal 1X 3: gimbal 1Y		rw	
0x2045	0x00	u8	CAN 120 Ω terminating resistor 0: resistor deactivated 1: resistor activated		rw	
0x2046	0x0	u8	Set zero point of the X / Y axes 0: unchanged 1: set zero (corresponds to the relative measurement) 2: reset set zero (corresponds to the absolute measurement)		rw	
0x2047	0x0	u8	Output value 0: angle 1: Veff & aPeak 2: aVector X / Y / Z without DC part (dynamic) 3: aVector X / Y / Z with DC part (static) → automatic change to ± 2 g		rw	

SDO index	Sub-index	Type	Value	Unit	r/w	Reset
0x2048	0x0	u8	Axis selection for Veff & aPeak X axis active -> bit 2 = 1 X axis not active -> bit 2 = 0 Y axis active -> bit 1 = 1 Y axis not active -> bit 1 = 0 Z axis active -> bit 0 = 1 Z axis not active -> bit 0 = 0		rw	
0x2049	0x0	u8	FIR filter for vibration measurement 0: FIR deactivated 1: FIR bandpass filter 0.1 - 1 Hz 2: FIR bandpass filter 0.1 - 10 Hz 3: FIR bandpass filter 1 - 10 Hz 4: FIR bandpass filter 2 - 400 Hz 5: FIR bandpass filter 10 - 400 Hz		rw	
0x204A	0x0	u8	Measuring range for Veff & aPeak and raw acceleration without DC part 0 : ± 2g 1 : ± 4g 2 : ± 8g		rw	
0x207F	0x0	u8	Factory reset 1: make factory reset		rw	
0x3000	0x0	ASCII	Programming key		rw	

7.6.3 System settings (SDO index 0x4000 - 0x403F)

SDO index	Sub-index	Type	Value	Unit	r/w	Reset
0x4001	0x0	ASCII	Configuration 1 (Manufacturer only)		wo	
0x4004	0x0	u8	MEMS self-test Number sub-indices		r	
0x4004	0x01	u8	Flag to activate the self-test Flag = 1 → start self-test		rw	

SDO index	Sub-index	Type	Value	Unit	r/w	Reset
0x4004	0x02	u8	Self-test register X axis pass → bit 2 = 1 X axis fail → bit 2 = 0 Y axis pass → bit 1 = 1 Y axis fail → bit 1 = 0 Z axis pass → bit 0 = 1 Z axis fail → bit 0 = 0		r	

7.6.4 Informative 0x4080 - 0x40BF

SDO index	Sub-index	Type	Value	Unit	r/w	Reset
0x4080	0x0	Integer 32	MEMS temperature	1/10 °C	r	
0x4081	0x0	u16	Heating power	mW	r	

7.6.5 Additional functionality 0x5C10 - 0x5D30

SDO index	Sub-index	Type	Value	Unit	r/w	Reset
0x5C10	0x0	u32	Veff	1/10 mm/s	r	
0x5C11	0x0	u32	aPeak	mg	r	
0x5D10	0x0	Integer16	aVector X axis	mg	r	
0x5D11	0x0	Integer16	aVector Y axis	mg	r	
0x5D12	0x0	Integer16	aVector Z axis	mg	r	

7.6.6 Profile-specific part (to CiA DSP-410) 0x6000 – 0x9FFF

SDO index	Sub-index	Type	Value	Unit	r/w	Auto-save / reset
0x6000	0x0	u16	Resolution 1d = 0.001° 10d = 0.01° 100d = 0.1° 1000d = 1.0°		rw	Yes
0x6010	0x0	Integer 16	Longitudinal X axis	Angle [°]	r	
0x6011	0x0	u8	Slope long16 operating parameter		rw	Yes
0x6020	0x0	Integer 16	Lateral Y axis	Angle [°]	r	

SDO index	Sub-index	Type	Value	Unit	r/w	Auto-save / reset
0x6021	0x0	u8	Slope lateral16 operating parameter		rw	Yes
0x6110	0x0	Integer 32	Longitudinal X axis	Angle [°]	R	
0x6111	0x0	u8	Slope long32 operating parameter		rw	Yes
0x6120	0x0	Integer 32	Lateral Y axis	Angle [°]	r	
0x6121	0x0	u8	Slope lateral32 operating parameter		rw	Yes

UK

8 Angle definition (SDO index 2044h)

To be able to adapt the inclination sensor to the different applications as easily as possible, the measured inclination information is converted into different angle indications. The requested angle indication is set by selecting the respective option.

With this angle definition a sensor coordinate system is used which is defined as follows:

- The mounting plane corresponds to the XY plane.
- The Z axis is perpendicular to the mounting plane (according to the right-hand rule).
- The X axis is represented by an edge of the mounting plate which shows in direction of the printed x arrow.
- The Y axis is then perpendicular to the plane spanned by the Z and X axes.

8.1 Perpendicular angle (SDO index 2044h = 0)

Using the indication of the two perpendicular angles the inclination of the sensor coordinate system towards the direction of gravitation is described.

The first provided value corresponds to a rotation about the Y axis of the sensor and is called "longitudinal inclination value" (SDO index 6010h or 6110h).

The value corresponds to the angle [°] which the gravitation vector spans with the yz plane.

The second provided value corresponds to a rotation about the X axis of the sensor and is called "lateral inclination value" (SDO index 6020h or 6120h). The value corresponds to the angle [°] between the gravitation vector and the XZ plane of the sensor.



In the case of an inclination in a plane (rotation of an axis with the second axis remaining perpendicular) the perpendicular angle and gimbal angle are always identical.

8.2 Euler angle (SDO index 2044h = 1)

In this setting the two provided angle values are to be interpreted as Euler angle.

The current sensor orientation is determined by two successive rotations from the horizontal position.

The "inclination value longitudinal" indicates the angle [°] at which the Z axis of the sensor is inclined. The "inclination value lateral" corresponds to the angle [°] at which the sensor was then rotated about the (inclined) Z axis.

Interpretation

The first angle value corresponds to the angle between the gravitation vector and the sensor's Z axis (slope inclination, gradient angle) whereas the second angle value indicates the direction in which the slope inclination matches the coordinate system.

Value range for this option

- Inclination value longitudinal (gradient angle): $-90^{\circ} \dots +90^{\circ}$
- Inclination value lateral (angle of direction): $0^{\circ} \dots 360^{\circ}$

Critical point

With a gradient angle of 0° the sensor is in a horizontal position. In this position the second angle (angle of direction) is useless. In practice, it is to be expected that the value of the second angle will vary very strongly even if the sensor is virtually motionless.

8.3 Gimbal angle X (SDO index 2044 = 2)

As with the Euler angle the current orientation of the sensor is described by two successive rotations from the horizontal position.

But the current orientation now arises from a rotation about the Y axis with the angle value [°] indicated by the "inclination value longitudinal" as well as from a rotation which then follows about the (now rotated) X axis with the angle [°] "inclination value lateral".

Interpretation

If you imagine the sensor as a plane whose body shows in x direction and whose wings in y direction, the "inclination value longitudinal" corresponds to the longitudinal inclination of the plane (pitch angle) and the "inclination value lateral" to the bank angle (roll angle) of the plane.

Value range

- Inclination value longitudinal: $-90^{\circ} \dots 90^{\circ}$
- Inclination value lateral: $-180^{\circ} \dots 180^{\circ}$

Critical point

With a longitudinal inclination of $\pm 90^{\circ}$ ("plane" flies vertically downwards or upwards) the roll angle makes a rotation about the gravitational axis which cannot

be detected by the inclination sensor. In this condition the "inclination value lateral" is insignificant. In practice, the "inclination value lateral" will vary very strongly when it is close to this condition even if there is only little movement.

8.4 Gimbal angle Y (SDO index 2044 = 3)

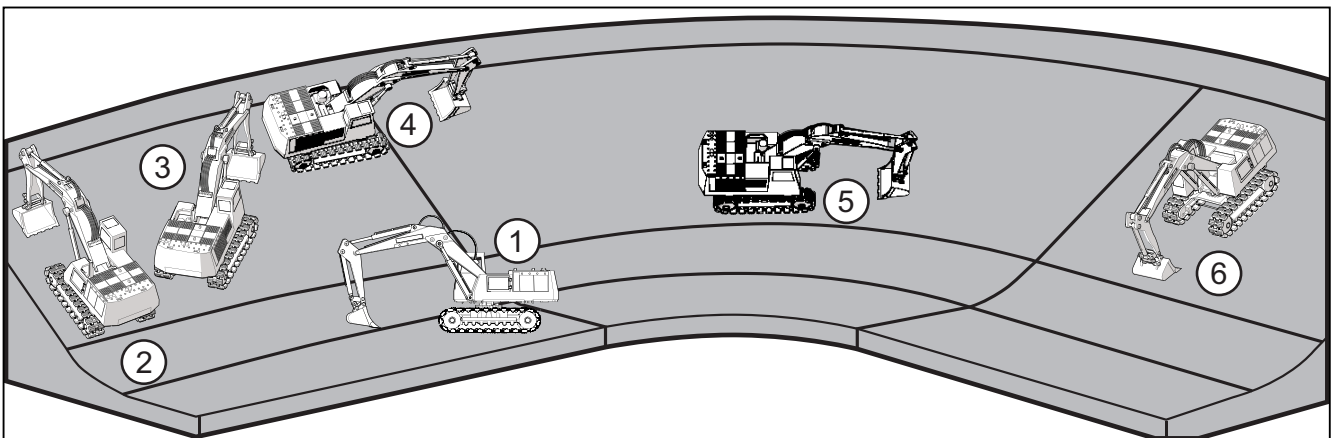
This setting corresponds to the setting described in 8.3 with the difference that the order of the two rotations is now inverted.

In this option the measured object is first rotated about its X axis with the angle [°] "inclination value lateral". The measured object is then rotated about the Y axis (which is now inclined) with the angle value [°] indicated by the "inclination value longitudinal" of the sensor.

As a result of this the measured values of the gimbal angle X and the gimbal angle Y are identical as long as the measured object is only rotated about one of the sensor's axes. The measured values of the two options do not differ until a general rotation is made about the two sensitivity axes.

8.5 Explanatory example

The different angle definitions will be illustrated using a simple example. An excavator moves up and down an embankment (illustration). The embankment is angled at 30°. The inclination sensor is installed so that the positive Y axis of the sensor shows in driving direction of the excavator.



Excavator position	Perpendicular angle		Euler		Gimbal X		Gimbal Y	
	Longitudinal	Lateral	Longitudinal	Lateral	Longitudinal	Lateral	Longitudinal	Lateral
1	0°	0°	0°	Undefined	0°	0°	0°	0°
2	0°	-30°	30°	0°	0°	-30°	0°	-30°
3	20°	-20°	30°	45°	20°	-22°	22°	-20°
4	30°	0°	30°	90°	30°	0°	30°	0°
5	30°	0°	30°	90°	30°	0°	30°	0°
6	0°	30°	30°	180°	0°	30°	0°	30°

9 Other sensor functions

9.1 Node ID (SDO index 2000h) and baud rate (SDO index 2001h)

In the case of a change node ID and baud rate do not become effective until after a reset (reset application, reset communication or hardware reset).



The inclination sensor from ifm is delivered with the node ID 10 and a baud rate of 125 Kbits/s.



After a reset all COB IDs are recalculated and set according to the pre-defined connection set.



The following baud rates [Kbits/s] are supported: 10, 20, 50, 125, 250, 500, 800, 1000.

9.2 Limit frequency digital filter (SDO index 2043h)

With the sensor it is possible to make continuously arising angle values insensitive to external interfering vibrations.

Using a configurable filter (digital FIR filter) interfering vibrations can be suppressed. The limit frequency of the filter is set via the FIR filter step (SDO index 2043h).

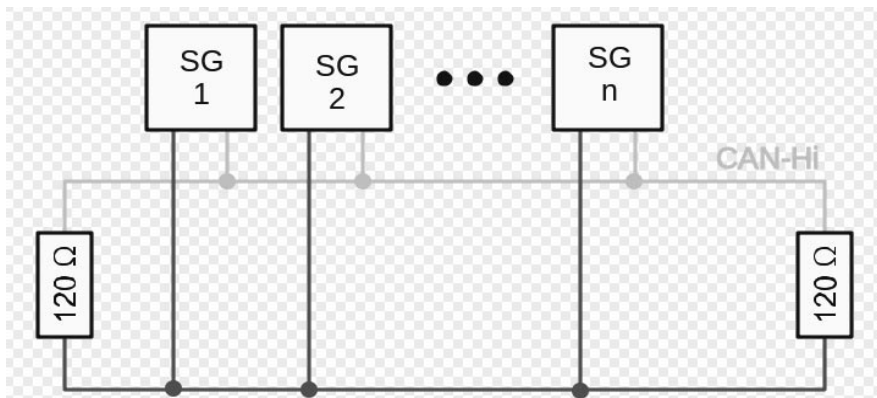
9.3 Set zero point (SDO index 2046h)

To set the zero point the sensor is rotated to the requested position and the current position is set as "0". The value of the parameter "set zero point and Y axis" (SDO index 2046h) is to be set to 1.

The sensor then calculates the offset to the zero point shift and saves it in the permanent memory. From then on the offset is subtracted from the angle.

9.4 Terminating resistor (SDO index 2045h)

In bus topology a CANopen system is terminated with terminating resistors (120 Ω) at the beginning and end. If the sensor is at the beginning or end, the terminating resistor (SDO index 2045h) integrated in the sensor can be activated by writing the value 1.



9.5 Set teach (SDO index 2042h)

Should it not be possible to integrate the inclination sensor into the measured object so that the coordinate system of the sensor and object match, the teach function enables the creation of a new reference system.

The new reference system X_b, Y_b, Z_b is defined so that its Z_b direction corresponds to the direction of gravitation at the teach moment. The X_b direction of the reference system results from the projection of the X_s axis of the sensor to the $X_b Y_b$ plane of the reference system.

The Y_b axis then corresponds to the direction which is perpendicular to both the Z_b and the X_b axis.



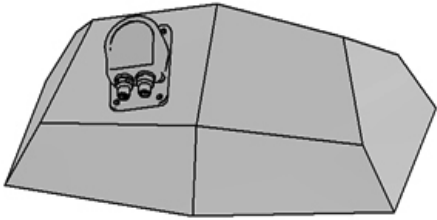
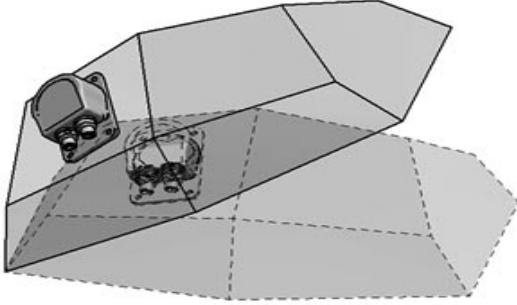
The result of this is that at the teach moment the x_s axis must not be parallel to the direction of gravitation. As long as the value for the SDO index 2042h is 1, all angle indications are converted into the new reference system.

The teach operation can, for example, be as follows:

The measured object with the non-aligned inclination sensor is brought into a known horizontal position. In this position the teach function is carried out, thus defining the new reference system. All provided angle values then refer to this new reference system.



Even with an inclination sensor which is installed at an angle note that the X axis (X_s axis) of the sensor is parallel to the $XBZB$ plane of the requested reference system.

Explanatory example	
	
<p>Inclination sensor installed at an angle in the coordinate system of the workpiece. The coordinate system of the sensor is transferred to the coordinate system of the workpiece by teaching the sensor when the workpiece is horizontally aligned.</p>	<p>The raw data of the sensor is indicated in the coordinate system of the sensor. In teach mode the data is converted into the coordinate system of the workpiece.</p>

The example shows a rotation of 30° about the Y axis of the coordinate system of the workpiece.

Perpendicular angle without teach		Teach mode		Perpendicular angle without teach		Teach mode	
Longitudinal angle value	Lateral angle value	Longitudinal angle value	Lateral angle value	Longitudinal angle value	Lateral angle value	Longitudinal angle value	Lateral angle value
-13.2°	-29.3°	0°	0°	-45.5°	-29.5°	-30°	0°

9.6 Quadrant correction (SDO index 2040h)

Quadrant correction means an extension of the angle indication to the measuring ranges $\pm 180^\circ$ (corresponds to 2040h = 1) or 0...360° (corresponds to 2040h = 2).

The following conditions apply to the different angle calculations:

Perpendicular angle: longitudinal (x) and lateral (y) are corrected

Euler:

For the gimbal angles the roll angle is corrected.

Gimbal X: longitudinal x (pitch angle), lateral y (roll angle)

Gimbal Y: longitudinal x (roll angle), lateral y (pitch angle)

9.7 Heating (SDO index 2041h)

To ensure good temperature stability over the whole temperature range, the measuring cell is regulated to a constant temperature using a PID controller. The regulation of the heating is set by the factory and can be deactivated by writing the value 0 to the parameter of the heating (SDO index 2041h).

This has the following effects:

- > Reduction of temperature stability
- > Current consumption decreases when operating
- > Accuracies deviate from the indications in the data sheet

9.8 MEMS self-test (SDO index 4004h)

To check the function of the measurement axes a self-test of the measuring cell can be carried out. The MEMS self-test (SDO index 4004/01h) has to be activated by writing the value 1. The self-test takes about 2 s; when the self-test has ended, the flag (SDO index 4004/01h) is reset to 0.

The test result is coded in a byte and can be read from the self-test register (SDO index 4004/02h).

00000111: The 3 least significant bits code the internal X, Y, Z measurement axes

Bit 0: axis faulty / bit 1: axis functional

9.9 Temperature of the measuring cell (SDO index 4080h)

The temperature of the measuring cell is determined every 200 ms and updated in the object directory. It can be read via SDO access to the object directory (in every device state) and via TPDO. The signed 32-bit value (two's complement) indicates the temperature in °C.

9.10 Inclination values longitudinal and lateral (SDO index 6010h and SDO index 6020h)

The current angle values of the inclination axes can be accessed via SDO access to the object directory (in every device state) and via TPDO. The conversion of the 100-fold, signed 16-bit inclination value (two's complement) is as follows:

Value of the SDO index 6010h = -2370, thus the angle is $-2370 / 100 = -23.70^\circ$

9.11 Inversion of the angle values

The operating parameter settings of the inclination sensor 6011h/6021h for 16 bit angle values and the parameters 6111h/6121h for 32 bit angle values make it possible to change the counting direction and the +/- sign.

This option is deactivated on delivery, the direction of the angle value (polarity of the axes) corresponds with the assignment indicated on the type label of the device.

If the value 1 is written under the corresponding index that is mentioned above, the corresponding angle value is provided inverted.

This option depends on the set quadrant correction (SDO-Index 0x2040) $0 \dots 360^\circ$ or $+180^\circ \dots -180^\circ$. Reversal of direction of rotation at $0 \dots 360^\circ$; sign inversion at $-180 \dots +180^\circ$.

9.12 Programming key (SDO index 3000h)

The sensor can convert the parameter setting unambiguously into a Base64-coded key. By means of this key sensors with the same parameter setting can be duplicated in an easy way.

The programming key can be read from and written to SDO index 3000h sub-index 0. To ensure that only valid keys are accepted by the firmware a 2-byte checksum (CRC) is calculated and added to the end of the key.

The following parameters are coded by the key

Parameter	SDO index	SDO sub-index
Node ID	0x2000	0x00
Baud rate	0x2001	0x00
Quadrant correction	0x2040	0x00
Heating on	0x2041	0x00

Parameter	SDO index	SDO sub-index
Teach index	0x2042	0x00
FIR filter angle	0x2043	0x00
Angle calculation	0x2044	0x00
CAN 120 Ohm resistor	0x2045	0x00
Set zero point	0x2046	0x00
Output value	0x2047	0x00
Axis selection for Veff & aPeak	0x2048	0x00
FIR filter for vibration measurement	0x2049	0x00
Measuring range vibration measurement	0x204A	0x00
Resolution	0x6000	0x00

The default setting of the programming key is: D0UfZEgRKHAI5Ag=

10 Vibration measurement

10.1 Measurement mode (SDO index 2047h)

The JN2100 sensor can be operated in four different measurement modes:

- Angle measurement (SDO index 2047h = 0)
- Vibration measurement (Veff & aPeak) (SDO index 2047h = 1)
- Raw acceleration (AC measurement / dynamic) (SDO index 2047h=2)
- Raw acceleration (DC measurement / static) (SDO index 2047h=3) → automatic selection of ± 2 g

The table shows which settings can be combined:

OD index 0x204A	OD index 0x2047			
Measuring range	Angle measurement	Veff & aPeak	Raw acceleration AC measurement	Raw acceleration DC measurement
± 2 g	X	X	X	X
± 4 g	O	X	X	O
± 8 g	O	X	X	O

(X → possible; O → not possible)



The angle measurement and raw acceleration (DC measurement) is only possible at ± 2 g.

10.1.1 Vibration measurement (Veff & aPeak) (SDO index 2047 = 1)

If the vibration measurement is active, the sensor provides two different characteristic values.

The first characteristic value (SDO index 5C10h) provides the vibration velocity (v effective [1/10 mm/s]) and the second characteristic value (SDO index 5C11h) the maximum acceleration (a peak [mg]).



Axis selection is only possible in this option.

10.1.2 Raw acceleration measurement (AC) (SDO index 2047h = 2)

In this mode the values of the 3 axes (X/Y/Z) are provided with sign. The output values of all axes is 0 mg.

This option is possible up to a measurement range of ± 8 g.

10.1.3 Raw acceleration measurement (DC) (SDO index 2047h = 3)

When this option is active, the values of the 3 axes (X/Y/Z) are provided with sign.

The difference to the previous option is that now measurement is made statically at ± 2 g and in horizontal position of the sensor the earth's gravitational force acts on the Z axis ($9.81 \text{ m/s}^2 \rightarrow 1000 \text{ mg}$).

SDO index 5D10 = 0 mg

SDO index 5D11 = 0 mg

SDO index 5D12 = 1000 mg

10.2 Configure measuring plane (SDO index 2048h)

The measurement categories are calculated by default from the measurement axes of the internal acceleration measuring cell as follows:

$$v \text{ effective} = \sqrt{(vX^2 + vY^2 + vZ^2)}$$

$$a \text{ peak} = \sqrt{(aX^2 + aY^2 + aZ^2)}$$

The definition of the coordinate system of the acceleration measuring cell corresponds to the coordinate system of the sensor.

The mounting plane corresponds to the XY plane and the Z axis is perpendicular to the mounting plane.

The three LSBs of the parameter for the configuration of the measuring plane (SDO index 2048h) set which measuring axes are included in the calculation of the final result. By default the characteristic values of the vibration measurement for all 3 axes are measured.

X axis active: bit 2 = 1

X axis not active: bit 2 = 0

Y axis active: bit 1 = 1

Y axis not active: bit 1 = 0

Z axis active: bit 0 = 1

Z axis not active: bit 0 = 0

Example:

SDO index 2048h decimal	SDO index 2048h binary	Active measurement axis (axes)
1	001	Z axis
2	010	Y axis
6	110	X and Y axes
7	111	X, Y and Z axis

10.3 FIR filter (SDO index 2049h)

The sensor provides the possibility to filter the vibration signal. Depending on the application the frequency range to be measured can be adapted. The limit frequency of the filter is set via the FIR filter step (SDO index 2049h).

When the FIR filter has been changed for vibration measurement, the measured values are only transferred when the filters are in the steady state. This settling time depends on the set values and can be taken from the table below:

0.1...1 Hz: approx. 70 s
 0.1...10 Hz: approx. 70 s
 1...10 Hz: approx. 12 s
 2...400 Hz: approx. 9 s
 10...400 Hz: approx. 5 s

10.4 Measuring range (SDO index 204A h)

The measuring range of the vibration measurement can be set up to a maximum value. The measuring range of the internal acceleration measuring cell can be limited for different applications to 4 g (g = gravitational acceleration) or 2 g, the maximum value is 8 g.

11 Parameter (connection set) handling

The CAN identifiers (COB IDs) of the communication objects are determined according to the pre-defined connection set with every reset (communication, application and hardware reset) depending on the set node ID (SDO index 2000h). Make sure that the current parameters (connection set) always match the current node ID.

The connection set always refers to the current node ID. Therefore set the node ID to the requested value before saving the connection set.

If the node ID is changed after the connection set was saved, the connection set first has to be reset to the factory settings. After saving the connection set again, all COB IDs that are calculated with the node ID are mapped again correctly.

11.1 Save the connection set (OD index 1010h)

Changes of parameters in the object directory are immediately active except for the node ID (SDO index 2000h) and the baud rate (SDO index 2001h). To ensure that the changed parameters of the communication profile (CiA DS-301) are active even after a reset, they must be saved in the internal permanent memory (flash).

On delivery, the sensor is set to „autosave“. If the node ID and/or baudrate is changed, the sensor must be rebooted.

After the reboot, the sensor can be found under the new node ID and baudrate. The saved communication profile is called pre-defined connection set.

11.2 Reset the connection set (OD index 1011h)

The saved communication profile (OD index 1000h - 1FFFh) can be reset to the factory settings via the entry 1011h/01h by writing the command "load" (64616F6Ch) in this entry. After a "reset application" (NMT command) or a hardware reset the changes become effective. If a "reset communication" (NMT command) is transmitted, the factory settings of the communication parameters become effective.

11.3 Factory reset (SDO index 207Fh)

To reset the manufacturer-specific parameters of the inclination sensor (SDO index 2000h – 5FFFh) to the factory settings the value 1 has to be written to the respective parameter (SDO index 207Fh).

If the value 1 is read when this parameter is read, the factory reset was successful. If the value 0 is read, the factory reset failed.

The factory reset also applies to the settings of the communication protocol (CiA DS-301), for example the node ID or the baud rate. If the node ID or the baud rate was changed, the changes only become effective after a reset of the device.

The data of the factory setting (node ID = 10, baud rate = 125 Kbits) are only valid again after this reset.

12 Emergency messages

Every inclination sensor supports EMCY messages which are transmitted in the event of sensor, temperature, hardware or guarding errors.

If one of these errors occurs, the error register (OD index 1001h) and the pre-defined error field (OD index 1003h) are updated.

After rectification of the error the device transmits an EMCY message with the "error reset" code (0h) and the current state of the error and manufacturer status register. The current device state ("pre-operational, operational or stopped") is not influenced by the error states (except for guarding errors).

12.1 Failure monitoring

As in a CANopen network the nodes do not respond regularly in the case of an event-controlled transmission, heartbeat and node guarding/life guarding mechanisms are available for failure monitoring.

Only one of the two monitoring methods can be used.

12.1.1 Node guarding / life guarding

Node guarding is the monitoring of one or several nodes by the NMT master. The NMT master periodically transmits an RTR telegram to the slave to be monitored which responds with its own status and a toggle bit.

If the status or toggle bit do not correspond to the response expected from the guarding master or no response is given, the master assumes a slave error. With this mechanism the node to be monitored can detect even the failure of the guarding master.

To do so, two parameters are used. The interval time used by the guarding master to check the sensor to be monitored is the guard time (100Ch).

The second parameter, the life time factor (100D h), defines a multiplier.

The product of guard time and life time factor defines the life time of the node (node life time). This life time indicates the time after which the connection is considered as interrupted.

Node life time = guard time × life time factor

If the sensor receives no guarding request from the master within this configured time, it assumes a master failure. It transmits an emergency telegram and returns to the "pre-operational" state. If one of the two parameters is "0" (default setting), the master is not monitored (no lifeguarding).

12.1.2 Heartbeat

Heartbeat is a failure monitoring mechanism which needs no RTR telegrams. The sensor cyclically transmits a heartbeat message which contains the device status and can be monitored by the master. Heartbeat is activated as soon as a value greater than "0" is entered in the register heartbeat interval time (OD index 1017h).



Heartbeat has a considerable influence on the bus load of the CANopen network - but generates a bus load which is only half as high as node guarding / life guarding.

12.2 COB IDs

The CAN identifiers of the communication objects are determined according to the pre-defined connection set with every reset (communication, application and hardware reset) depending on the set node ID (SDO index 2000h).

Communication object	Calculation of the COB ID	Default value (node ID = 10)
NMT0 h	0h	
SYNC	80h	80h
EMCY	80h + node ID	8Ah
TPDO0	180h + node ID	18Ah
TPDO1	280h + node ID	28Ah
TPDO2	380h + node ID	38Ah
TPDO3	480h + node ID	48Ah
Standard SDO (Server → client)	580h + node ID	58Ah
Standard SDO (Client → server)	600h + node ID	60Ah
Heartbeat	700h + node ID	70Ah

UK

12.3 Status LED

The integrated LEDs indicate the current device status (run LED, green) and CAN communication errors (error LED, red).

LED colour	Flashing frequency	Description
Green	Permanently off	The device is in the "reset" state or no power supply is available
	Permanently on	The device is in the "pre-operational" state
	Flashes	The device is in the "operational" state
	Brief lighting once	The device is in the "stopped" state
Red	Permanently off	No error
	Permanently on	The device is in the "bus off" state
	Brief lighting once	Error counter: The CAN controller has reached or exceeded its warning limit
	Brief lighting twice	The device has detected the failure of the guarding master (node guard event)

13 Maintenance, repair and disposal

The unit is maintenance-free.

- ▶ Dispose of the device in accordance with the national environmental regulations.

14 Approvals/standards

The CE declarations of conformity and approvals can be found at www.ifm.com.

14.1 Reference to UL

The external supply source and external circuits intended to be connected to this device shall be galv. separated from mains supply or hazardous live voltage by reinforced or double insulation and meet the limits of clauses 6.3 Limit values for accessible parts and 9.4 Limited energy circuit of UL 61010-1.

Minimum temperature rating and size of the cable to be connected to the field wiring terminals, min. 75°C, min. 22 AWG or 0.34mm².

15 Factory setting

SDO index	Sub-index	Type	Value	Delivery
0x2000	0x0	u8	Node ID	10
0x2001	0x0	u16	Baud rate	125 Kbits
0x2040	0x0	u8	Flag for quadrant correction	2: corresponds to "0° ... 360°"
0x2041	0x0	u8	Flag for heating	1: corresponds to "heating on"
0x2042	0x0	u8	Index teach value of the X/Y/Z axes	2: corresponds to "absolute measurement"
0x2043	0x0	u8	FIR filter step angle	2: corresponds to "FIR lowpass 5Hz"
0x2044	0x0	u8	Angle calculation	0: corresponds to "perpendicular"
0x2045	0x0	u8	CAN 120 Ω terminating resistor	1: corresponds to "activated"
0x2046	0x0	u8	Set zero point of the X/Y axes	2: corresponds to "absolute measurement"
0x2047	0x0	u8	Output value	0: corresponds to "angle"
0x2048	0x0	u8	Axis selection for Veff & aPeak	7: corresponds to "X/Y/Z" activated
0x2049	0x0	u8	FIR filter for vibration measurement	5: corresponds to "10...400 Hz"
0x204A	0x0	u8	Measuring range for vibration measurement	2: corresponds to "8g"
0x6000	0x0	u16	Resolution	100d: corresponds to "0.1°"

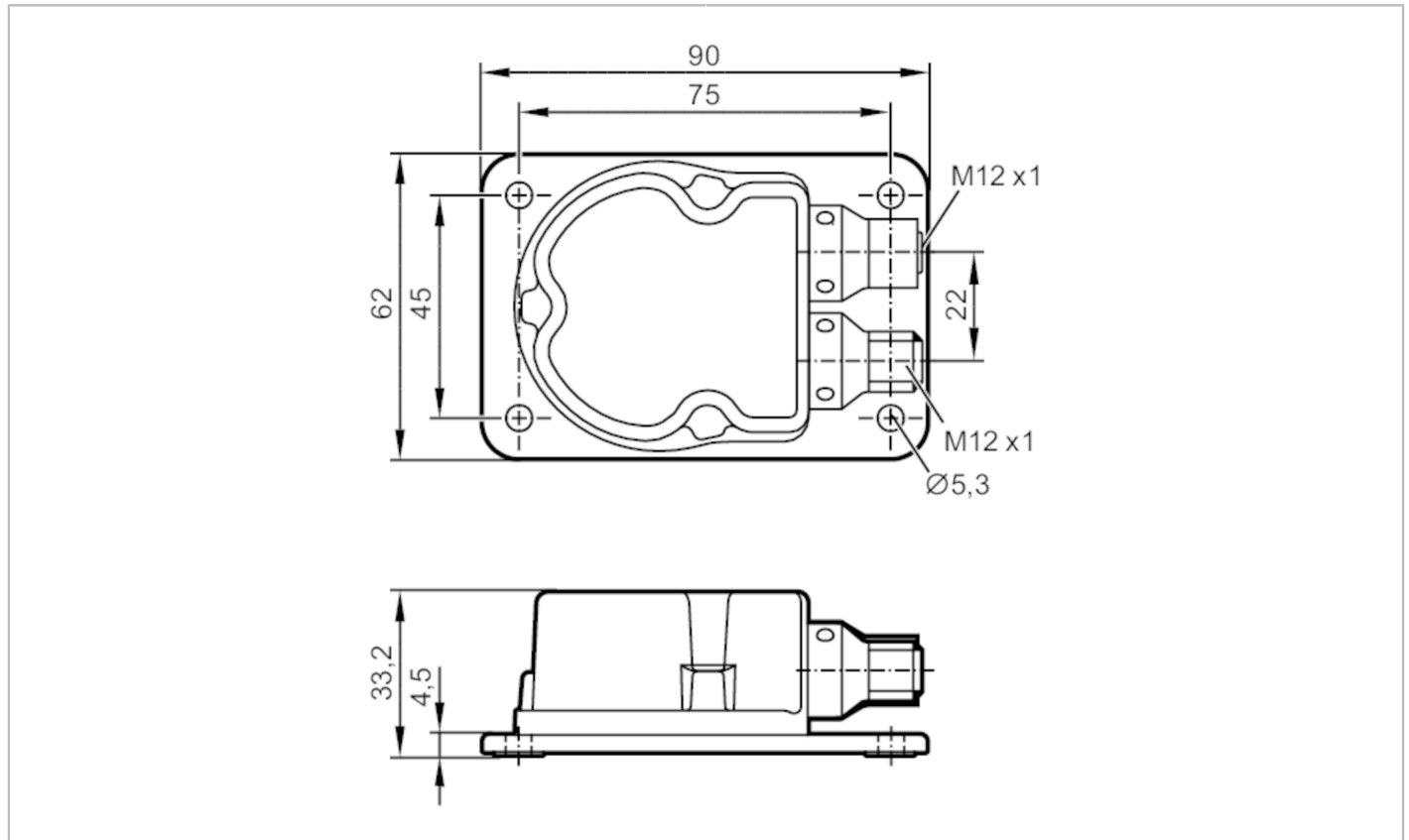
16 Technical Data

JN2100



Inclination sensor

INC-M2M360C -KG/US



Product characteristics		
Dimensions	[mm]	90 x 62 x 33.2
Inclination measurement		
Number of measurement axes		2
Angular range	[°]	0...360 / ± 180
Application		
Application		High-precision inclination measurement in 2 axes for mobile applications
Electrical data		
Operating voltage	[V]	9.2...30 DC
Current consumption	[mA]	70; (24 V DC, 25 °C)
Max. current consumption	[mA]	310; (9,2 V DC; -40 °C)
Min. insulation resistance	[MΩ]	100; (500 V DC)
Protection class		III
Reverse polarity protection		yes
Reverse polarity protection		yes
Max. initialization time	[ms]	1000
Power-on delay time	[s]	300; (warm-up time)
Measuring/setting range		
Measuring principle		MEMS capacitive

JN2100



Inclination sensor

INC-M2M360C -KG/US

Inclination measurement	
Number of measurement axes	2
Angular range [°]	0...360 / ± 180
Limit frequency [Hz]	0.5...10; (configurable)
Vibration measurement	
Measuring range of vibration [mm/s]	3200
Measuring range of vibration [g]	16; (± 2; ± 4; ±8 g configurable)
Frequency range [Hz]	0.1...400
Number of measurement axes	3; (X/Y/Z configurable)
Accuracy / deviations	
Accuracy [°]	≤ ± 0,5
Resolution [°]	0.001; (configurable)
Temperature coefficient [1/K]	≤ ± 0,02
Interfaces	
Communication interface	CAN
Number of CAN interfaces	1
Terminating resistor	yes; (internal ; configurable)
CAN	
Protocol	CANopen CiA DS 301
Factory settings	Baud rate: 125 kBit/s Node Id: 10
Version	CiA DSP-410
Operating conditions	
Ambient temperature [°C]	-40...85
Storage temperature [°C]	-40...85
Protection	IP 65; IP 67; IP 68; IP 69K

JN2100



Inclination sensor

INC-M2M360C -KG/US

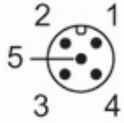
Tests / approvals		
EMC	DIN EN 61000-4-2 ESD	4 kV CD / 8 kV AD
	DIN EN 61000-4-3 HF radiated	10 V/m
	DIN EN 61000-4-4 Burst	2 kV
	DIN EN 61000-4-6 HF conducted	10 V
	DIN EN 55022 class B / CISPR 16-2-3	30 - 1000 MHz
	CISPR 25 ECE R 10	30 - 1000 MHz narrowband and broadband
	ISO 11452-2 ECE R 10	20 - 2000 MHz / 30 V/m
	ISO 7637-2 ECE R 10	pulse 1, 2a, 2b, 3a, 3b, 4, and pulse emission during operation, switching-on, switching-off
	ISO 7637-3	- 80 V pulse a / + 80 V pulse b
Shock resistance	DIN EN 60068-2-27	100 g 1 ms / 10000 Impacts per axis (X/Y)
	DIN EN 60068-2-29	30 g 6 ms / 24000 shock (bump)
Vibration resistance	DIN EN 60068-2-64	10...2000 Hz Test VII / random, mounting place car body
	DIN EN 60068-2-6	10...500 Hz / 10 g 10 cycles/axis, sine
Salt spray test	DIN EN 60068-2-52	severity level 5 (motor vehicle)
Damp heat	DIN EN 60068-2-30	55 °C cyclic upper temperature / 95 % rh 2 cycles of 24 h
MTTF	[years]	372
Standard	Compliant with ECE R 10, rev. 5; ISO 7637-3: 2007-07	
Mechanical data		
Weight	[g]	413.8
Dimensions	[mm]	90 x 62 x 33.2
Material	housing: diecast zinc nickel-plated	
Displays / operating elements		
Display	preoperational mode	1 LED, green
	operational mode	1 LED, green flashing
	fault	1 LED, red
Accessories		
Accessories (supplied)	Protective cover: 1	
Remarks		
Pack quantity	1 pcs.	
Electrical connection - CAN-In		
1	CAN screen	
2	+ UB	
3	CAN_GND	
4	CAN_H	
5	CAN_L	
Connector: 1 x M12		

JN2100



Inclination sensor

INC-M2M360C -KG/US



Electrical connection - CAN-Out

1	CAN screen
2	+ UB
3	CAN_GND
4	CAN_H
5	CAN_L

Connector: 1 x M12

