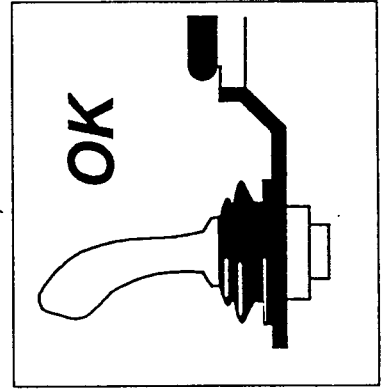
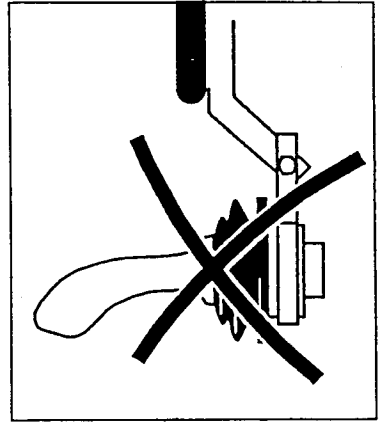
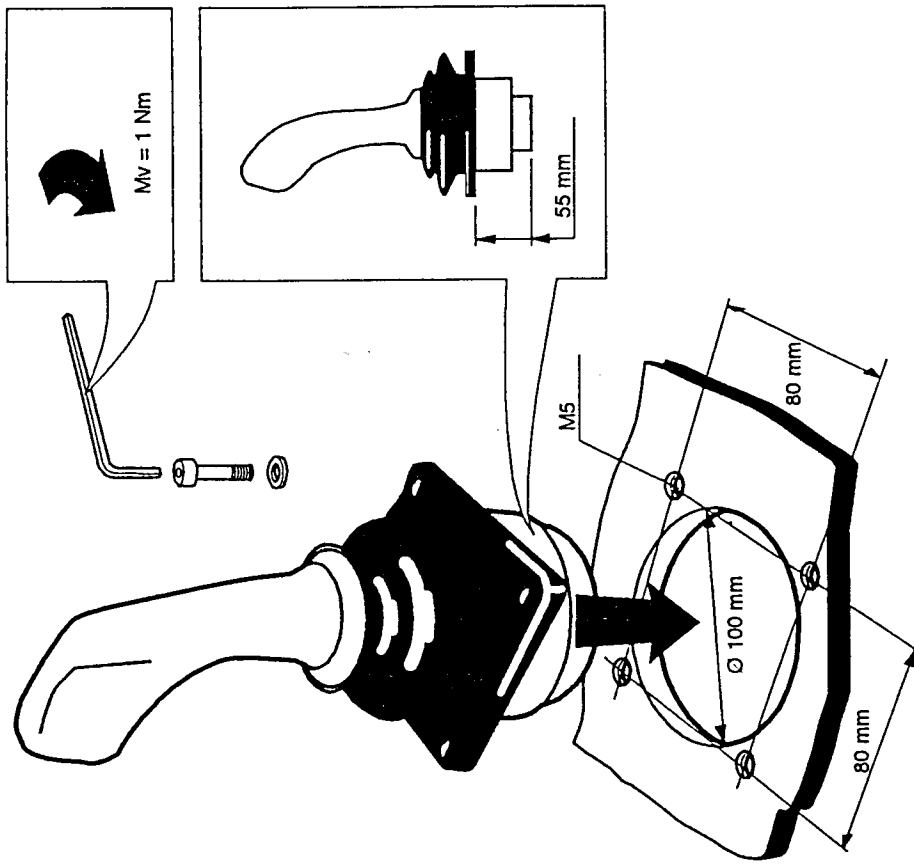
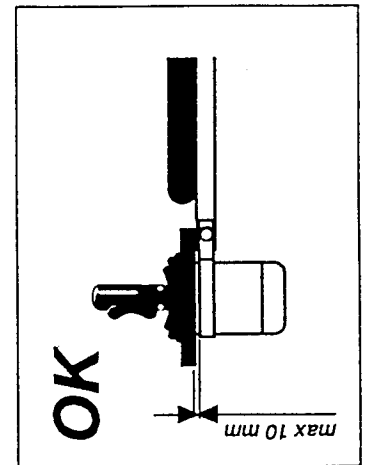
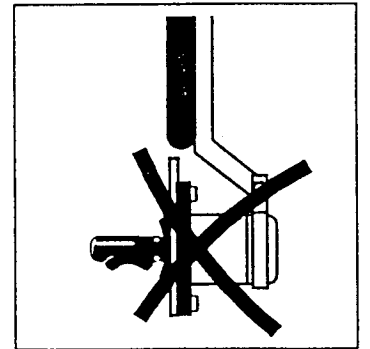
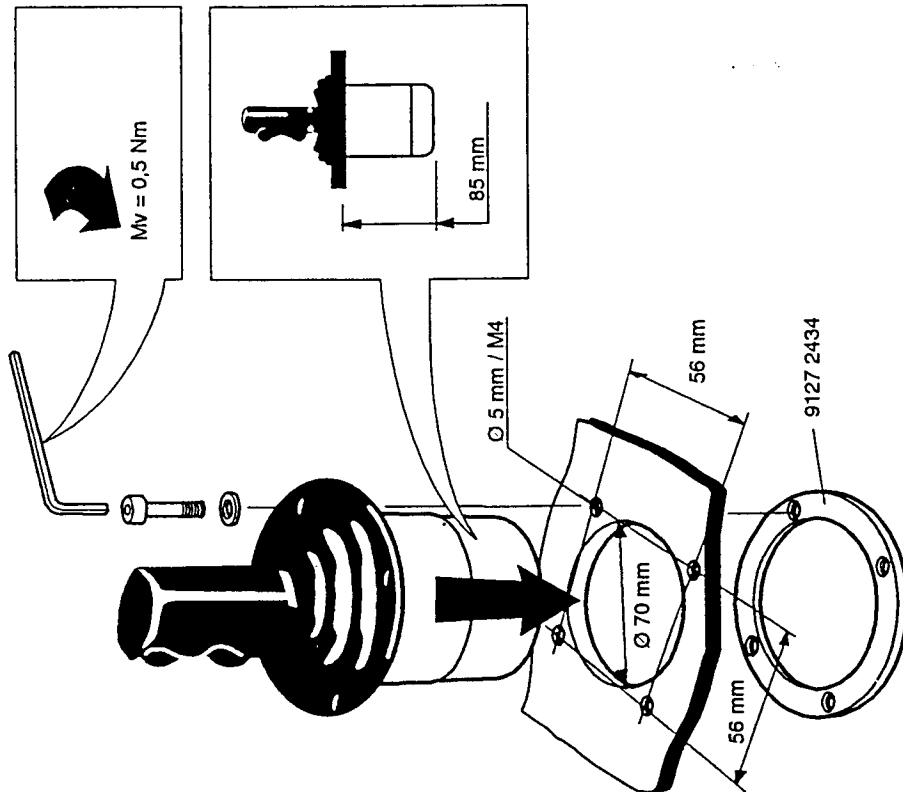


DIMENSIONS ICL4



DIMENSIONS ICM4

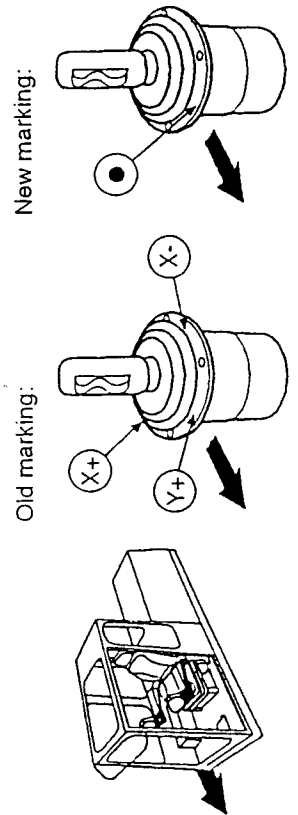
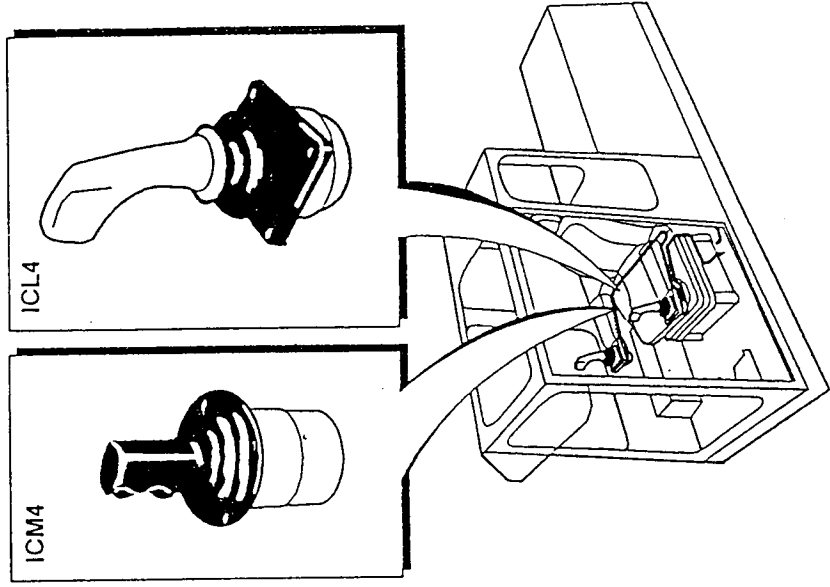
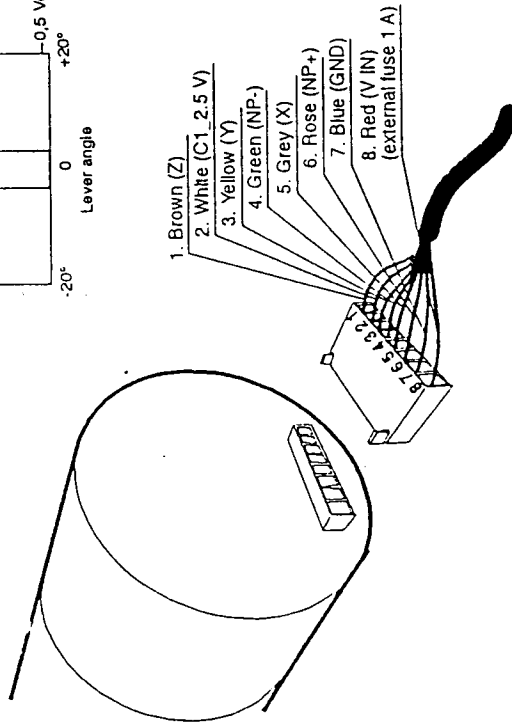
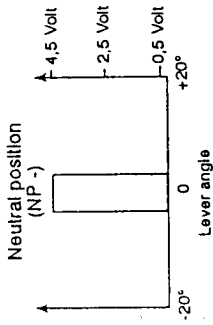
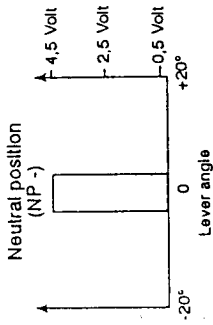
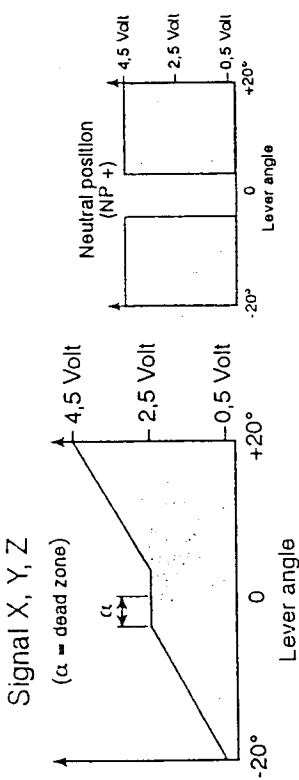




**EHC**

Installation manual  
ICM4\_7 / ICL4\_7

9129 8323 02, ED01  
September 1996 GB



CE marking according to 89/336/EEC

